



SenseTek

Fire & Security Solutions



0843-CPR-0213
2014

SenseTek B.V.

Abberdaan 162

1046 AB, Amsterdam, Nederland

Tel: +31(0)20 6 13 16 11

Fax: +31(0)20 6 13 22 12

Web: www.sensetek.nl

27.6 Vdc 1 Amp Switch Mode Power Supply for Fire – EN54-4

STX2401-C

STX2401-T

FEATURES

The STX2401-x is an EN54-4 approved power supply ideal for use in Fire & Smoke and ventilation control Systems. Its regulated 27.6V dc output will supply up to 1.2 Amps continuous current into the load, in addition to providing up to 300mA for charging the standby batteries up to 7Ah. The power supply output features electronic short circuit protection under both mains and standby battery operation. Maximum battery life is assured through continuous active battery monitoring and the use of a two stage charger, comprising bulk and temperature compensated final float phase depending upon battery condition. Once fully charged the product operates in Eco power saving mode, whereby it will check and top up battery charge every 24 hours, but will not waste energy by continuously attempting to charge a fully charged battery. This also extends the operating life of the batteries. Deep discharge protection prevents premature battery failure when operating from standby for extended periods. Two sets of volt free solid state relay fault output signal (i) loss of mains and (ii) battery fault, charger fault and loss of output. In addition there is an optional plug in serial interface that can provide diagnostic and fault reporting information to supervisory systems.

- Certified by UL to EN54-4:1997 +A1: 2002 + A2: 2006.
- Up to 1.2A current to load at 27.6V dc nominal regulated output.
- Charging capability to support 1.2 to 7Ah batteries.
- Electronic overload protection shuts down output until overload or short circuit is removed.
- Battery Monitor detects battery missing, low battery, short-circuit or reverse connection.
- Battery charging circuit is energised only when a battery is correctly connected and the battery voltage is greater than 14 V.
- No loss of output during automatic connection of battery to load on loss of mains.
- Deep discharge protection disconnects battery from load when battery voltage falls below 21 V.
- Diagnostic indicator LED (Orange) (Internal).
- Fault indicator LED (Yellow) flashes on detection of output fault, battery fault, charger fault and mains failure.
- Mains indicator LED (Green) showing mains present Indicators check at start-up.
- Optional RS232 serial interface for fault reporting and diagnostics.

SPECIFICATION

Mains Input

Rated Voltage (Operational voltage)	100 – 240 V ac (90 – 265 V ac)
Frequency	45 – 65 Hz
Input current	< 1.0 Amps at full load
Inrush current	5A Max at 25 °C 110 V ac for 10 ms
Fuse	T1.6 A 20mm, 250 V ac HRC

Output

Battery mode selected	1.2 Ah	7 Ah
Voltage at full load		
Mains power	27.0 – 28.3V dc (range) (27.6V nominal)	
Battery standby	21 – 26.0V dc	
Ripple	<100 mV pk – pk max @ Rated Voltage	
Fuse		
Load	F1.6 A	
Battery	F1.6 A	
Continuous Output Current		
No charging (Imax B)	1.5 A	1.5 A
With charging (Imax A)	1.2 A	1.2 A
Battery Capacity	2 x 1.2 Ah 12 V	2 x 7 Ah 12 V
eg		
- PowerSonic model	PS12021	PS12070
- Yuasa model	NP1.2-12I	NP7-12I
Battery Charging	Constant current bulk charging to 80% capacity within 24 hours Float charging to 100% within 48 hours Eco charging and check every 24 hours – (for up to 8 hours pulse charge dependent on temperature)	
Constant current charge	0.3 A	0.3 A
Low battery threshold voltage	23 V	
Deep discharge protection	Threshold voltage – 21 V	
Quiescent current – no load	< 30 mA @ 27.6 V	
Quiescent current – batt cut off	0 mA @ 27.6 V	

Mechanical

Product Reference	STX2401-T	STX2401-C
Enclosure Dimensions w x h x d (mm)	300 x 240 x 60	275 x 330 x 80
Weight (kg) excluding battery	2.4 Kg	3.3 Kg
Material	1.2 mm steel white powder coated	

Environmental

Temperature – Operating	-10 to +40°C (operating) 75% RH non-condensing
Temperature - Storage	-20 to +80°C (storage)

Connections and Signalling outputs

Load Output +/-	Screw terminals Voltage output to load
GEN PSU Fault (normally closed contact)	0.10 A @ 60V dc 16Ω solid state relay contacts, volt free Open if Mains failed and battery voltage < 23 volts or fault PSU fault condition, (see below)
EPS Fault (normally closed contact)	0.10 A @ 60V dc 16Ω solid state relay contacts, volt free Open if loss of mains for > 10 seconds
Temperature sensor	Thermistor input from supplied battery terminal thermistor.
BATT + / -	Connection to back up battery using supplied battery lead
Optional Serial interface	5 pin header (For details contact Elmdene Technical Support)

SIGNALLING AND DIAGNOSTICS**Fault Outputs**

EPS Fault	GEN Fault	Condition	Possible Cause	Action
CLOSED	CLOSED	Normal operation	Mains present Battery healthy	None
OPEN	CLOSED	Standby Mode	Mains lost Battery driving load	Investigate loss of mains
CLOSED	OPEN	Fault Present	Blown fuses Battery fault Internal fault	Investigate fault source using diagnostic LED Rectify fault where possible
OPEN	OPEN	PSU Shutdown	Mains lost Standby battery exhausted	Restore mains as soon as possible

LED Indication

YELLOW LED	Fault LED
GREEN LED	Mains supply On
DIAGNOSTICS	Diagnostic LED (Not visible through front panel)

Fault Diagnostic table – Front panel - User

Yellow LED Fault	Green LED Mains	Condition	Possible Cause	Action
OFF	ON	Normal operation	Mains present Battery healthy	None
FLASH CONTINUOUS	ON or OFF	Fault	Blown fuses Battery fault Internal fault	Contact service engineer
1 PULSE/S	OFF	Standby Mode	Mains lost Battery driving load	Investigate loss of mains

Fault Diagnostic table – Internal - Engineer

Orange LED Diagnostic	Green LED Mains	Condition	Possible Cause	Action
OFF	ON	Normal operation	Mains present Battery fully charged	None
	OFF	Standby Operation	Mains Lost. No faults present Battery driving load	Investigate loss of mains
FLASH CONTINUOUS	ON or OFF	No output	Output fuse blown Output overload Output short circuit	Check and replace output fuse Disconnect output load and test load
1 PULSE	ON	Battery Charging	No faults active Battery charging normally but < 90% of full charge	None
2 PULSES	ON	No Battery	Battery disconnected Battery fuse blown Battery heavily discharged	Check battery connections Check battery fuse Check battery condition Replace battery if aged
	OFF	Low Battery Volts	Standby Mode Battery almost discharged	Restore mains
3 PULSES	ON or OFF	Battery Fault	High impedance in battery connection Battery internal fault	Check battery connections for corrosion. Replace battery if aged
4 PULSES	ON or OFF	Charger Fault	Internal failure of battery charger	Return to manufacturer
5 PULSES	ON or OFF	Battery Temperature Probe Fault	Battery temperature monitor disconnected or damaged PSU running in Safe Mode	Check temperature sensor connections and condition of sensor. Replace if suspect

INSTALLATION

This unit is only suitable for installation as permanently connected equipment. The PSU is NOT SUITABLE for external installation. This product (PSE) is designed for the use in automatic fire detection and fire alarm systems. If it is used as power supply equipment for control and indicating equipment, the PSE shall be installed no further than 10cm from the CIE, and close coupled by conduit.

This unit must be fed from a mains power source having a separate (approved) disconnect device and fitted with a fuse or other over-current protection device rated at 5A maximum. Ensure that the disconnect device used has appropriate earth fault protection to the applicable standard.

Where the PSU is used to provide power to a fire alarm circuit, the mains isolation and disconnect device should be provided solely for this purpose and be suitably marked "FIRE ALARM – DO NOT TURN OFF". All cabling should meet national and local fire system installation regulations, e.g. FP200 type cable for high integrity installations.

Where the PSU is used for other applications, it should be installed according to all relevant safety regulations applicable to that application.

Where the GEN PSU Fault and EPS Fault outputs are used, they should only be connected to circuits having voltages less than 60V dc.

Cable Sizing

- 1) Mains input cable must be to the applicable standard with a 5A or greater current capacity, i.e. 0.75 mm² nominal conductor area, having a minimum operating voltage of 300/500V ac.
- 2) The low voltage output cable must be sized to carry the rated load current to the devices connected to the PSU.
- 3) Mains input and low voltage output cables should be routed to use different entry / exit holes in the case. Bushes should be used to protect cable sheaths from chafing. Ensure that these bushes are correctly sized (i.e. close fitting with respect to cable sizing). Note that the bushes should meet a minimum flammability specification of UL94 HB.
- 4) All cabling should be securely fastened in position using a cable tie through the saddles provided.

Mounting – C Box – 7Ah

- 5) The C box is designed to support two 7Ah batteries and as such weighs a total of 8 kg when loaded. Ensure that wall fixings are appropriate to support this weight.

Mounting – T box – 1.2Ah

- 6) The T box is designed to support two support two 1.2Ah batteries, and as such weighs 3.5 kg when loaded. Ensure that wall fixings are appropriate to support this weight.
- 7) The product should be mounted no further than 10 cm from the control and indicating equipment, close coupled by conduit if it is being used to power the CIE directly.
- 8) Fix to wall or other structure in correct orientation i.e. with hinge on left hand side, using screws of sufficient size and length through the mounting holes.
- 9) Protect the battery terminals from any metal surfaces during installation as shorting of the terminals is hazardous.
- 10) Knock-outs are provided in the case for mating with external trunking or conduit.
- 11) Ensure that all unused holes (on the rear of the case) are sealed to prevent the ingress of damp and dust.

Figure 1 – Mounting points

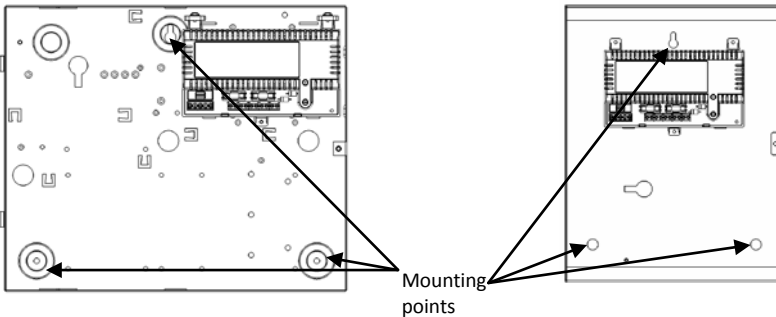
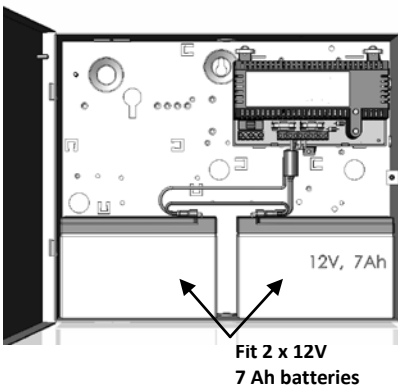
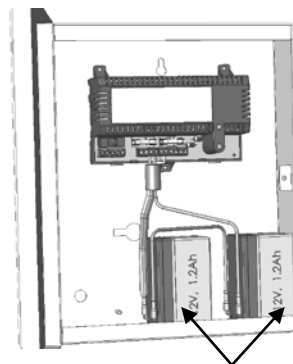


Figure 2 – Battery location

“C” Enclosure



“T” Enclosure



WARNING: ALWAYS FIT 2 BATTERIES and wire in series, the product will not work with a single 12V battery

**Fit 2 x 12V
1.2 Ah batteries**

COMMISSIONING

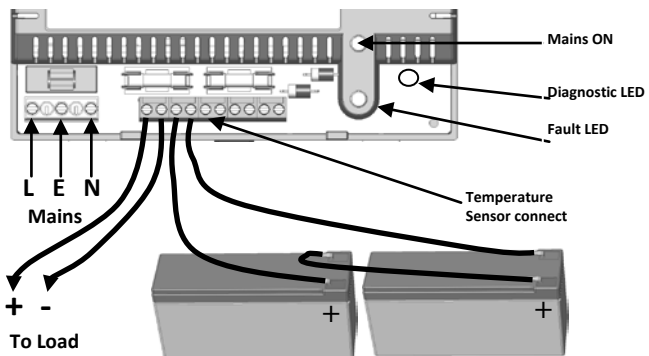
Mains Power Up

- 1) With no external connections made to the PSU, connect the mains input wires to the terminal block, **ensuring that the mains isolator (disconnect device) is open**. Fasten wiring in place with cable tie to saddle. **Note: Equipment must be earthed.**
- 2) Apply mains input. Confirm that all LED indicators flash on briefly proving integrity of indicating circuits. Ensure that the green Mains LED then stays illuminated and that the yellow Fault LED flashes after approximately 3 s (indicating a disconnected battery).
- 3) Disconnect the mains power.

Load Output and Remote Signalling

- 4) Connect the EPS and PSU Fault outputs to the appropriate inputs of control equipment if remote fault monitoring is required.
- 5) Connect the load (output) wiring as shown in Figure 3. Cable tie to saddle provided (adjacent to exit hole).

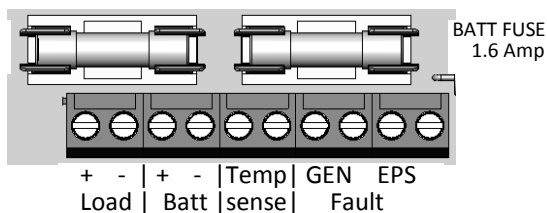
Figure 3 - Connections



- 6) Re-apply mains. Verify that the green Mains LED illuminates and the yellow Fault LED flashes after approximately 3 s (disconnected battery).
- 7) If connected, verify that the EPS Fault monitor shows a *closed* contact and the GEN PSU Fault monitor shows an *open* contact.
- 8) Perform a full functional test of system including full alarm condition.

Figure 4 – Terminal labels

LOAD FUSE
1.6 Amp



Standby Battery

- 9) Mount the appropriate batteries as shown above. Where a dual box solution is used all cabling between the two boxes should be routed to use separate case entry/exit holes from other cabling and use suitable bushes to protect the cables.
- 10) With mains *disconnected*, connect the two 12 V standby batteries in series using the single cable provided. Connect the *negative* of one battery to the *positive* of the other. **DO NOT CONNECT** the other two battery terminals to each other.
- 11) Connect the free Positive and Negative terminals of the batteries to the PCB terminals Batt+ and Batt- using the cables provided. See Figure 3,4.

- 12) Re-apply mains and, after the LED indicators initial start-up flash, verify that the yellow Fault LED does not flash (battery connection detected). Verify that the remote GEN PSU Fault monitor shows a *closed* contact.
- 13) Disconnect the mains power. Verify that the green Mains LED extinguishes and the yellow Fault LED starts to pulse (indicating that the PSU is running from its standby batteries).
- 14) If connected, verify that the EPS Fault monitor shows an *open* contact and the GEN PSU Fault monitor shows a *closed* contact.
- 15) Perform a full functional test of system including full alarm condition. Verify that the standby batteries can support the system load. Note: ensure batteries have sufficient charge.

Final

- 16) Reconnect the mains. Verify that the green Mains LED illuminates and the yellow Fault LED extinguishes.
- 17) If connected, verify that the EPS Fault monitor shows a *closed* contact and the GEN PSU Fault monitor shows a *closed* contact.
- 18) Close cover and secure using fastening screws provided.

NOTE: Batteries must be connected before mains power is applied to enable the batteries to be utilised. When replacing batteries, re-connect new batteries and then cycle the mains power.

OPERATING INSTRUCTIONS

In the event of loss of mains, a battery fault or a GEN PSU fault, the corresponding Fault signal contacts will open.

If the output of the PSU fails, the cause of the failure should be investigated e.g. short circuit load, connection of a deeply discharged battery. The fault should be rectified before restoring power to the PSU. If any of the fuses require replacing, ensure the correct fuse rating and type is used.

MAINTENANCE

This unit is intended for use by Service Personnel only. There are NO USER SERVICEABLE parts inside.

There is no regular maintenance required of the PSU other than periodic testing, and replacement of the standby battery. ***Reference should be made to the battery manufacturer's documentation to determine typical/expected battery life with a view to periodic replacement of the battery.***

COMPLIANCE

This power supply unit meets the essential requirements of the following EU Directives:

CPR:	305/2011 EU
EMC:	2004/108/EC
Low Voltage:	2006/95/EC
WEEE:	2002/96/EC
RoHS:	2011/65/EU



Functional standard:	EN54-4:1997 +A1 +A2 Environmental Class II
Certification Body:	Underwriters Laboratory
Declaration of Performance	DOP2014/04 DOP2014/05

DISPOSAL OF PRODUCT AT END OF LIFE

This product falls within the scope of EU Directives 2002/96/EC Waste Electrical and Electronic Equipment (WEEE) and 2006/66/EC (Battery). At the end of life, the product must be separated from the domestic waste stream and disposed via an appropriate approved WEEE disposal route in accordance with all national and local regulations.

Before disposal of the product, any batteries must be removed, and disposed separately via an appropriate approved battery disposal route in accordance with all national and local regulations. Package used batteries safely for onward transport to your supplier, collection point or disposal facility.

***Caution: Risk of fire or explosion
if bare battery wires are allowed to touch.***

See Specification for battery type information. The battery is marked with the crossed out wheelee bin symbol, which may include lettering to indicate cadmium (Cd), lead (Pb), or mercury (Hg).

For more information see: www.recyclethis.info

*The packaging supplied with this product may be recycled.
Please dispose of packaging accordingly.*