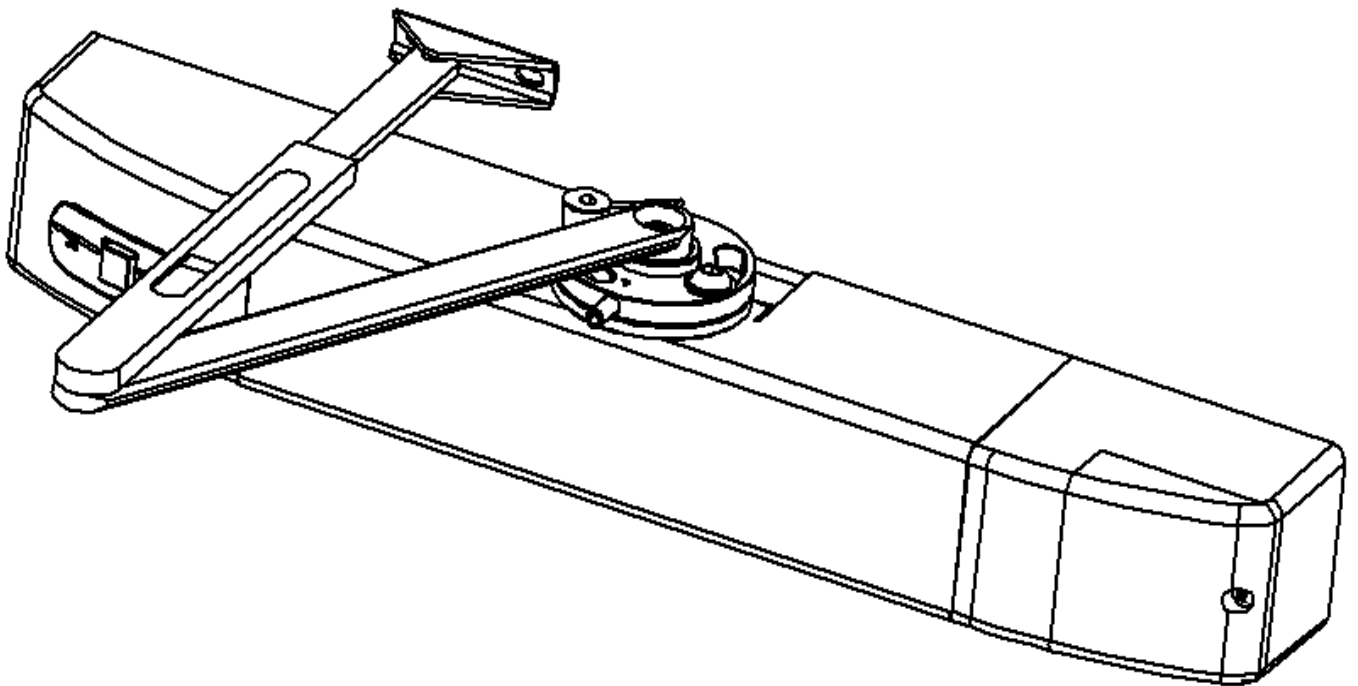


AGRIPPA



Acoustic Door Closer Instructions

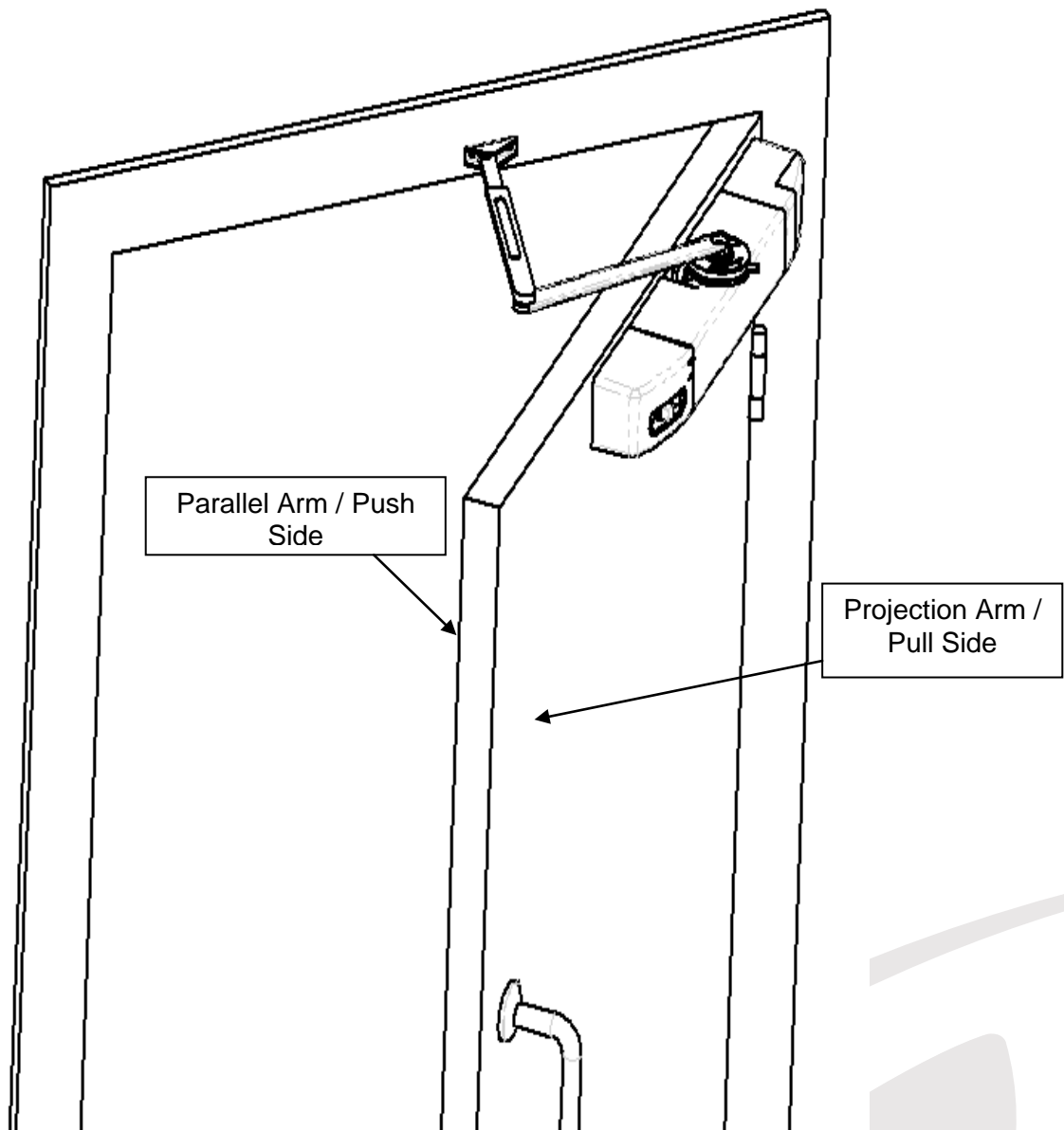
Contents

Contents	2
Introduction	3
Contents of Box	4
Contents of Door Closer Arm Box	4
Contents of Door Closer Body Box.....	4
Contents of Accessories Box	5
Tools Required.....	5
Fitting the Door Closer – Part 1	6
Door Closer Configuration.....	7
Projecting Arm – Pull Side.....	7
Parallel Arm – Push Side	9
Testing and Adjusting.....	11
Fitting the Door Closer – Part 2.....	12
Learning the Alarm Sound.....	13
Daily Timed Release	14
Release/Reset Button	15
Command Options	15
Commissioning	15
Maintenance	15
Messages	16
Specification.....	16

Introduction

The Agrippa door closer enables a fire door to be left open at any angle up to the latching angle, but will still close when the fire alarm sounds. Once the door is first opened, the door closer latches leaving the door to open and close freely. The latching angle can be set from 65° to 105°, but 90° is the most common angle. The closer “learns” the sound of the fire alarm to minimise false releases from background noise.

The closer should usually be mounted on the pull-to-open side of the door. This is called the projecting arm position as the closer arm projects into the room. If this is not possible the closer can be mounted on the push-to-open side, the parallel arm position.

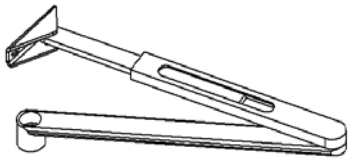


Contents of Box

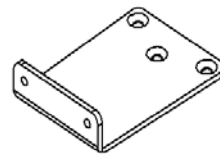
Check the contents of your box.

- 1 x Agrippa Door Closer Unit
- 1 x Centre Cover
- 1 x User Guide
- 1 x Projection Arm / Pull Face – Fitting Template
- 1 x Parallel Arm / Push Face – Fitting Template
- 1 x Door Closer Arm Box
- 1 x Door Closer Body Box
- 1 x Accessories Box

Contents of Door Closer Arm Box



1 x Door Closer Arm



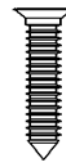
1 x Parallel Bracket



2 x M5 * 6
Parallel Bracket
Foot Screws

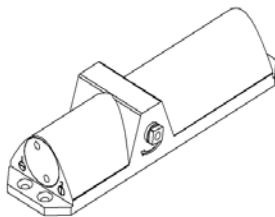


3 x M5 * 16
Parallel Bracket
Fixing Machined Screws



3 x No10 * 1"
Parallel Bracket
Fixing Wood Screws

Contents of Door Closer Body Box

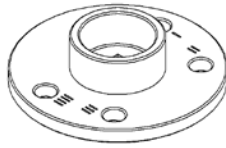


1 x Door Closer



4 x M5 * 12
Door Closer Screws

Contents of Accessories Box



1 x Hub



1 x Latching Plate



1 x M8*25
Drive Screw



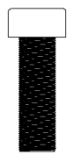
1 x Drive Sleeve



1 x M8*12
Clamping Screw



1 x M8 Washer



1 x M6*30
Door Closer Arm Screw



1 x Flanged Bush



2 x C Cell
Batteries



6 x No10 * 1-1/4"

Tools Required



Drill



Ø 3mm Drill Bit



Marker Pen



5.0mm Allen Key



No 2 - Pozi Screw
Driver



Flat Head Screw
Driver



Adjustable Spanner



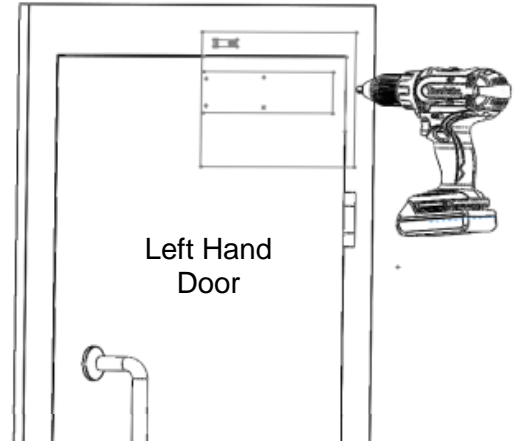
Paper Clip

Fitting the Door Closer – Part 1

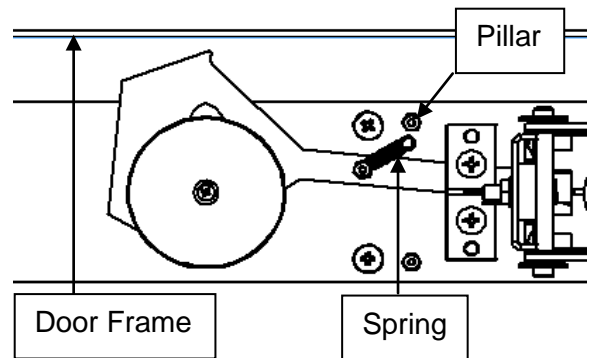
To determine if your door is 'right hand' or 'left hand', facing the push face of the door identify which side the hinges are on. If they are on the right, the door is 'right hand', and if on the left, the door is 'left hand'
 For a step by step video fitting tutorial, visit our Vimeo account at: www.vimeo.com/geofire

Using the paper template supplied, drill pilot holes in the door and frame

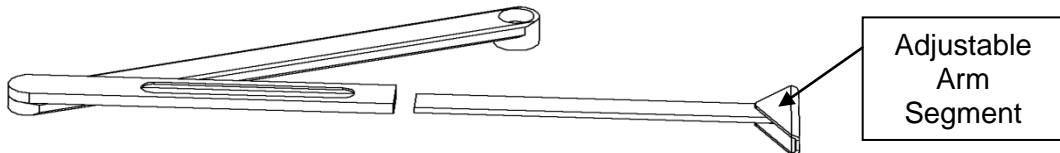
Remove the centre cover from the Agrippa door closer unit



Fit the closer baseplate securely to the door using the 4 x No10 * 1-1/4" screws. Place the free end of the spring over the topmost pillar on the baseplate



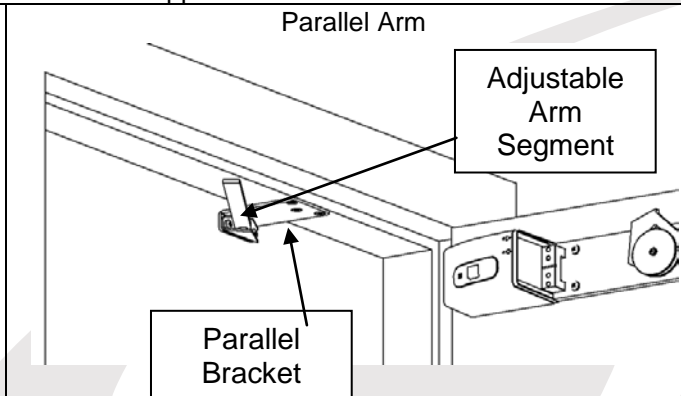
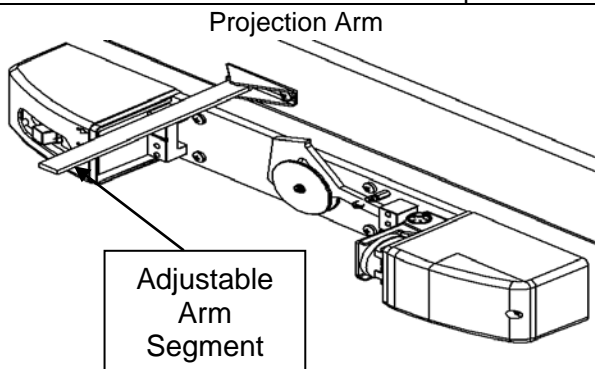
Separate the door closer arm and fit the adjustable arm segment to the door frame using 2 x No10 * 1-1/4" screws.



For parallel arm configuration, fit the parallel bracket to the door frame using the 3 x No10 * 1" wood screws and then fit the adjustable arm segment to the bracket using the 2 x M5 * 6 foot screws

Note: The slot hole must be closest to the hinge

For metal door frames drill and tap to suit the M5 screws supplied



Configure the closer for left or right hand operation as appropriate (see the "Door Closer Configuration" section).

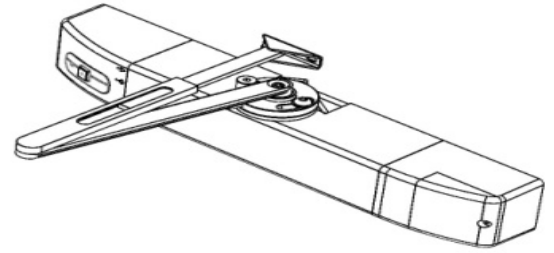
Door Closer Configuration

Projecting Arm – Pull Side

Check how far you want the door to open. This is the latching angle.

Left Hand

- i. Place the latching plate onto the hub with 'L' upmost. As shown below
- ii. Place the drive screw through the drive sleeve and latching plate and then screw into hole III loosely. Align the screw hole to the centre of the slot: this is the 90° latching angle position. Refer to the sketches below for other latching angles. Tighten the drive screw.



Example: Projection Arm

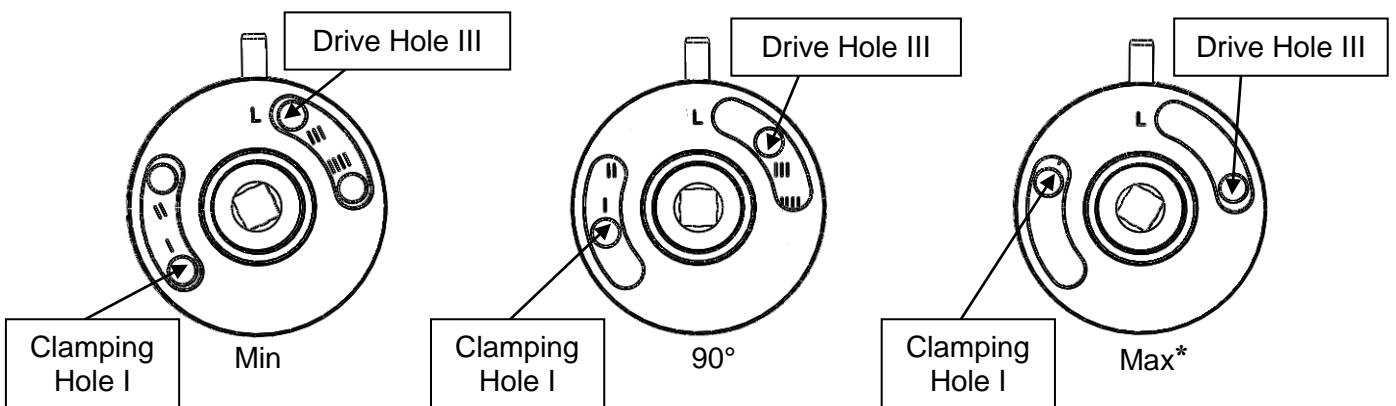
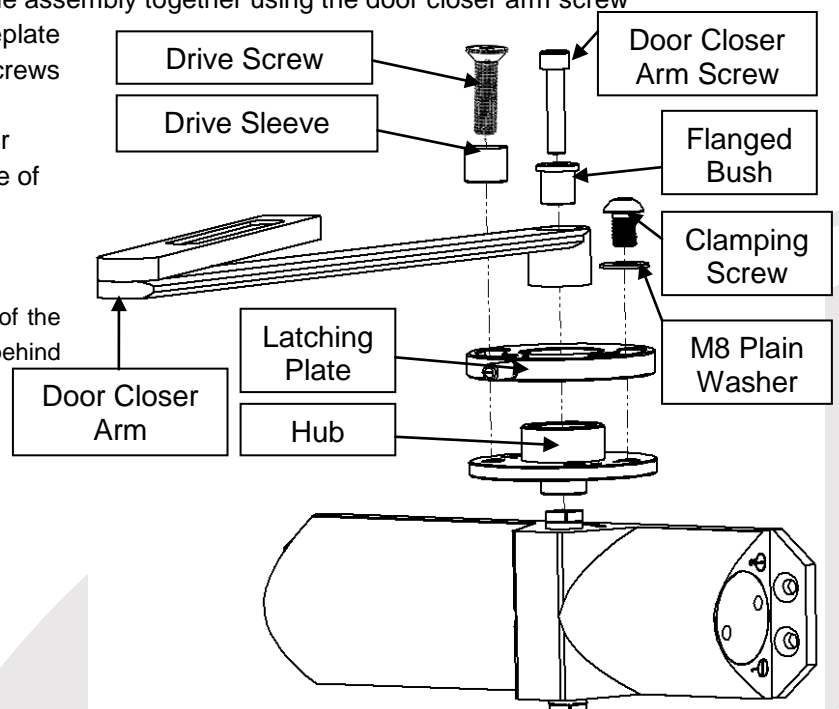


Figure 1: Left Hand Projecting Arm Cam Positions

- iii. Fit the clamping screw and the M8 washer into hole I and tighten
- iv. With the front of the closer body facing you ensure the closing speed screws are to the right. Slot the hub assembly onto the shaft of the closer body with the spring pin facing towards you
- v. Locate the closer arm into the hub assembly so that it projects out over the spring pin. Insert the flanged bush into the arm, and screw the assembly together using the door closer arm screw
- vi. Screw the closer assembly to the baseplate using the four M5x12 door closer screws provided
- vii. Connect the two arm segments together making sure of a 90° angle with the face of the door. Screw the segments together tightly

* The maximum latch angle is limited by the depth of the architrave around the door, and by any obstruction behind it



Right Hand

- i. Place the latching plate onto the hub with 'L' facing down. As shown below
- ii. Place the drive screw through the drive sleeve and latching plate and then screw into hole II loosely. Align the screw hole to the centre of the slot: this is the 90° latching angle position. Refer to the sketches below for other latching angles. Tighten the drive screw.

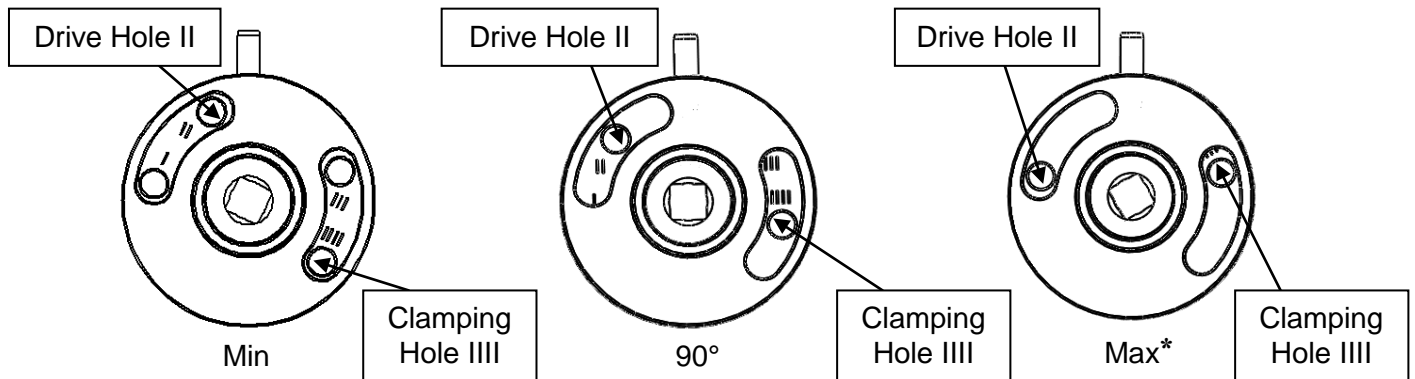
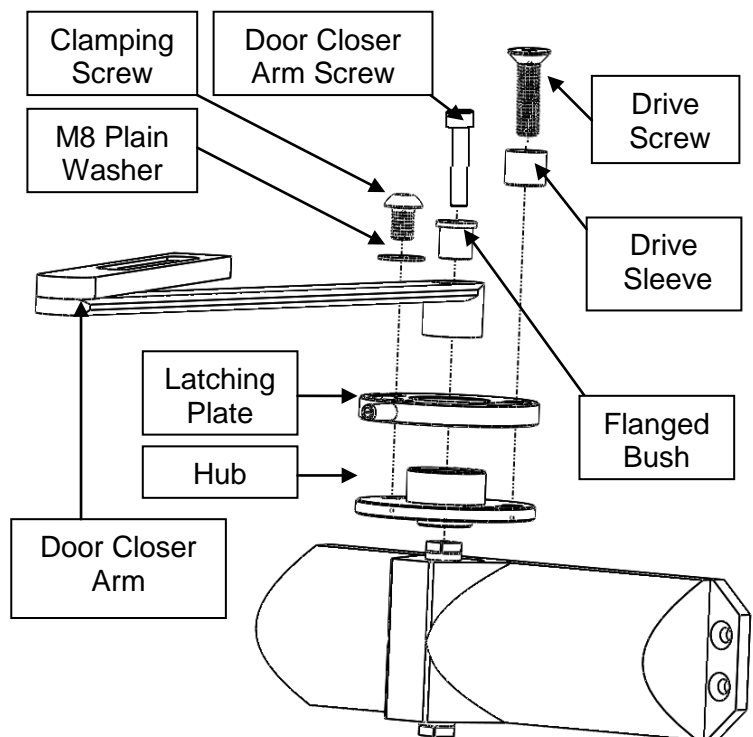


Figure 2: Right Hand Projecting Arm Cam Positions

- iii. Fit the clamping screw and the M8 washer into hole III and tighten
- iv. With the front of the closer body facing you ensure the closing speed screws are to the left. Slot the hub assembly onto the shaft of the closer body with the spring pin facing towards you
- v. Locate the closer arm into the hub assembly so that it projects out over the spring pin. Insert the flanged bush into the arm, and screw the assembly together using the door closer arm screw
- vi. Screw the closer assembly to the baseplate using the four M5x12 door closer screws provided
- vii. Connect the two arm segments making sure of a 90° angle with the face of the door. Screw the segments together tightly

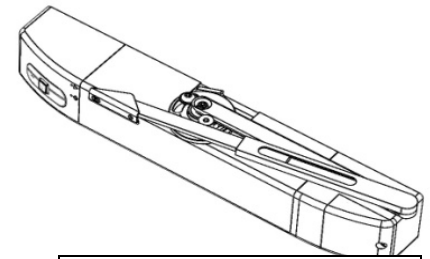
* The maximum latch angle is limited by the depth of the architrave around the door, and by any obstruction behind it



Parallel Arm – Push Side

Left Hand

- i. Place the latching plate onto the shaft of the hub with 'L' upmost. As shown below
- ii. Place the drive sleeve on the drive screw, but don't fit to the hub yet.
- iii. Fit the clamping screw and the M8 washer into hole III and tighten. Refer to sketches below



Example: Parallel Arm

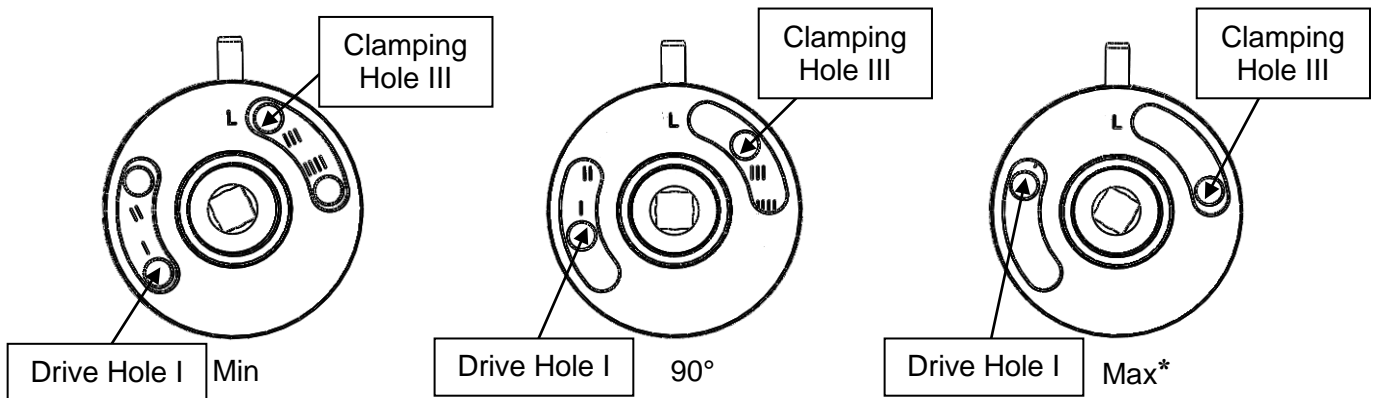
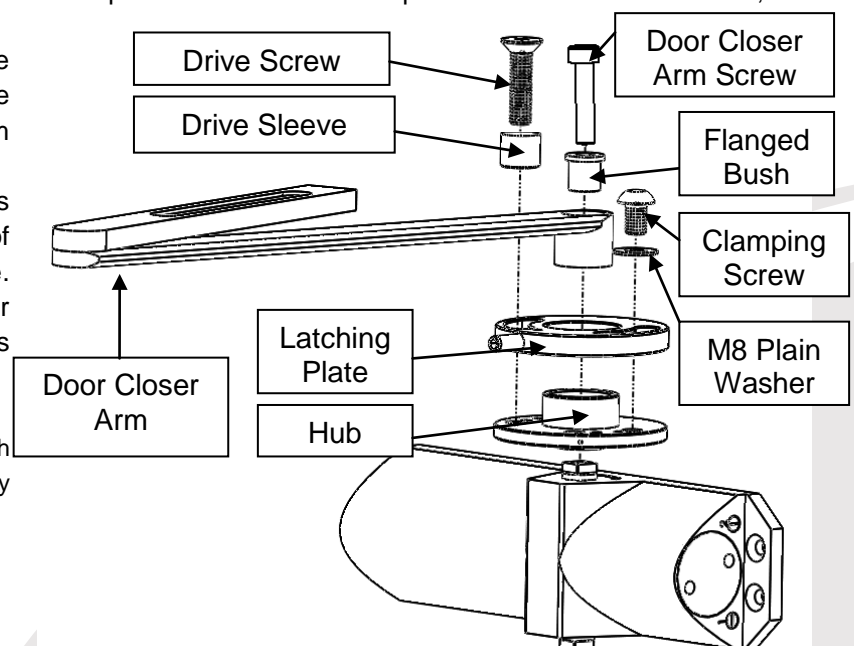


Figure 3: Left Hand Parallel Arm Cam Positions

- iv. With the front of the closer body facing you ensure the closing speed screws are to the right. Slot the hub assembly onto the shaft of the closer body with the spring pin facing towards you
- v. Locate the closer arm into the hub assembly so that it projects out over the closing speed screws. Insert the flanged bush into the arm, and screw the assembly together using the door closer screw
- vi. Screw the closer assembly to the baseplate using the four M5x12 door closer screws provided
- vii. Connect the 2 arm segments together, but don't screw them down. With the door closed, move the arm until it is parallel with the face of the door. Mark on the adjustable arm segment the intersection of it with the other arm segment
- viii. Open the door and disconnect the adjustable arm segment
- ix. Pre-tension the closer: Using an adjustable spanner on the bottom square drive of the closer shaft, turning it from right to left.
- x. Place the drive screw through the latching plate and into hole I on the hub and tighten, making sure the arm remains against the face of the door
- xi. Reconnect the two arm segments and screw together, taking note of the mark made in step vi above. Note: You may need to open the door to connect the two arm segments together



* The maximum latch angle is limited by the depth of the architrave around the door, and by any obstruction behind it

Right Hand

- i. Place the latching plate onto the shaft of the hub with 'L' facing down. As shown below
- ii. Place the drive sleeve on the drive screw, but don't fit to the hub yet.
- iii. Fit the clamping screw and the M8 washer into hole II and tighten. Refer to sketches below

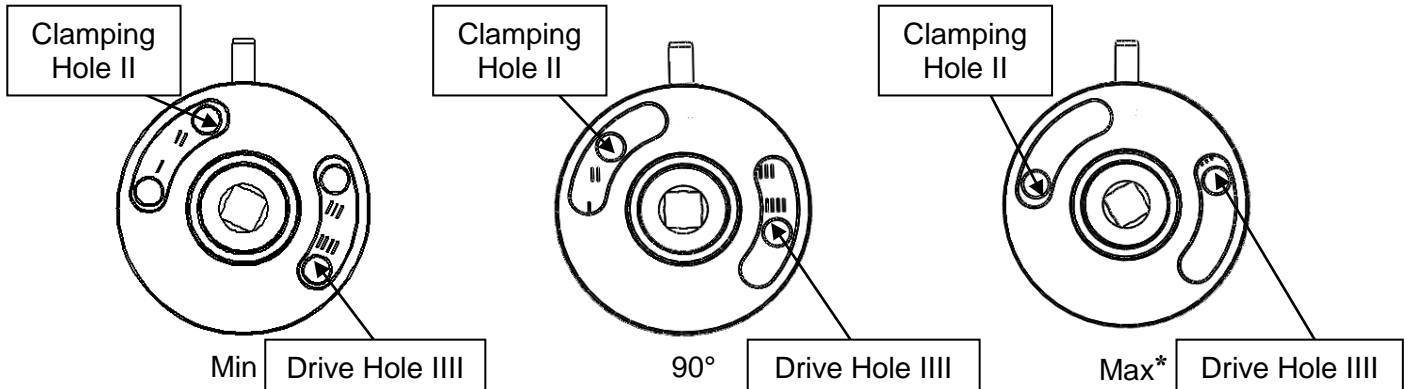
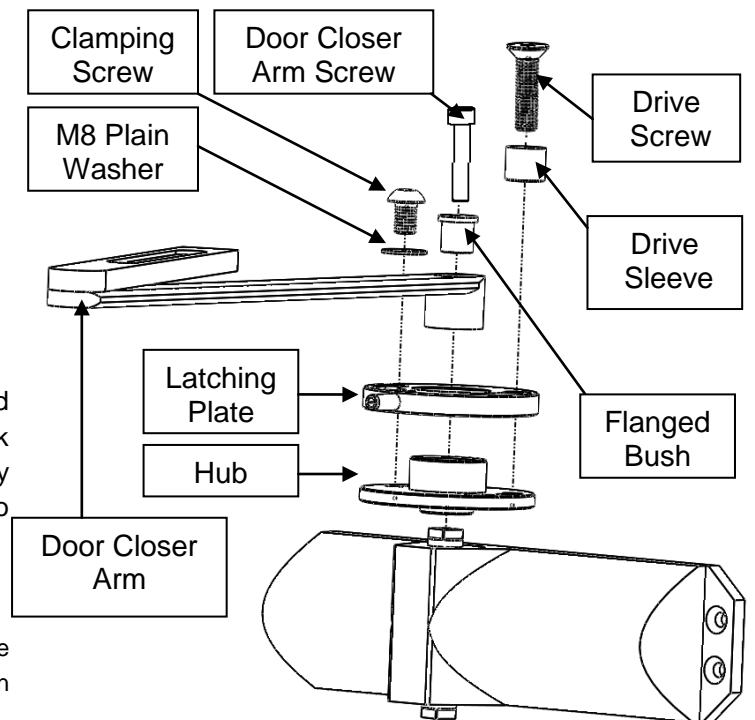


Figure 4: Right Hand Parallel Arm Cam Positions

- iv. With the front of the closer body facing you ensure the closing speed screws are to the left. Slot the hub assembly onto the shaft of the closer body with the spring pin facing towards you
- v. Locate the closer arm into the hub assembly so that it projects out over the closing speed screws. Insert the flanged bush into the arm, and screw the assembly together using the door closer arm screw
- vi. Screw the closer assembly to the baseplate using the four M5x12 door closer screws provided
- vii. Connect the 2 arm segments together, but don't screw them down. With the door closed, move the arm until it is parallel with the face of the door. Mark on the adjustable arm segment the intersection of it with the other arm segment
- viii. Open the door and disconnect the adjustable arm segment
- ix. Pre-tension the closer: Using an adjustable spanner on the bottom square drive of the closer shaft, turning it from left to right.
- x. Place the drive screw through the latching plate into hole III on the hub and tighten, making sure the arm remains against the face of the door
- xi. Reconnect the two arm segments and screw together, taking note of the mark made in step vi above. Note: You may need to open the door to connect the two arm segments together



* The maximum latch angle is limited by the depth of the architrave around the door, and by any obstruction behind it

Testing and Adjusting

Check that the latching angle is correct. If it is not, please follow these instructions to adjust it. CAUTION: DO NOT TRAP FINGERS IN THE MECHANISM WHILST ADJUSTING

Projection arm configuration

The mechanism can only be adjusted with the closer arms disconnected so estimate the angle of adjustment required before starting

- Push the red button to release the door
- Disconnect the adjustable arm from the closer arm
- Slacken both the clamp and drive screws. Rotate the spring pin by the angle required, then retighten both screws
- Connect the two arms and fit the retaining screws
- Check that the latching angle is correct and if not repeat the steps above

Parallel arm configuration

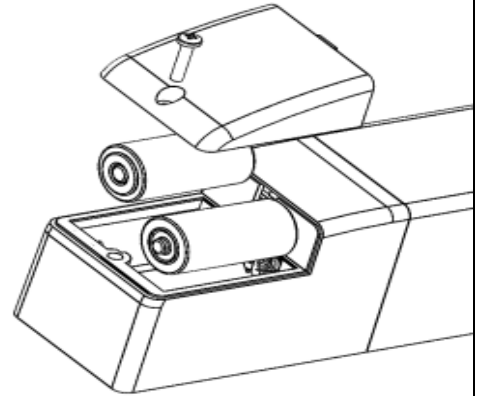
The mechanism can only be adjusted with the closer arms disconnected first and then by removing the drive screw disconnected, so estimate the angle of adjustment required before starting

- Push the red button to release the closer
- Tension the closer shaft with a spanner and remove the drive screw
- Slacken the clamp screw. Rotate the latching plate by the angle required. Retighten the clamp screw
- Tension the closer shaft with a spanner and replace and tighten the drive screw
- Check that the latching angle is correct and if not repeat the steps above

Fitting the Door Closer – Part 2

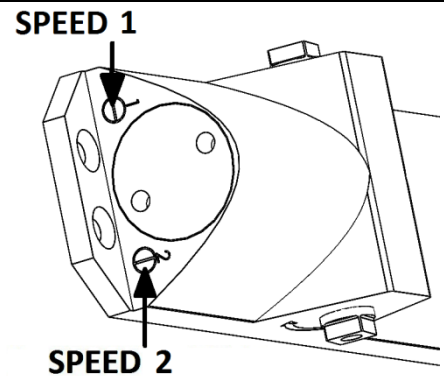
Fit the supplied batteries (2 x “C” cells). Note the correct orientation marked on the battery compartment label inside

The motor will turn for about 5 seconds. Fit the lid. The red dot will illuminate and after 10 seconds the magnet will turn on (unless the background noise level is too high). The door may now be latched open



Adjust the closing speed using a flat head screw driver to adjust the two screw valves at the end of the closer body.

- The valve marked 1 controls the speed over most of the closing cycle
- The valve marked 2 controls the speed for the final closing speed



Screw in (clockwise) to slow down, screw out (anti-clockwise) to speed up. Make sure the speed is sufficient to fully close the door

Place the centre cover over the closer unit body and click it home

Note: To assist removal of the centre cover press the red release button and wait for the door to fully close before pulling the centre cover off

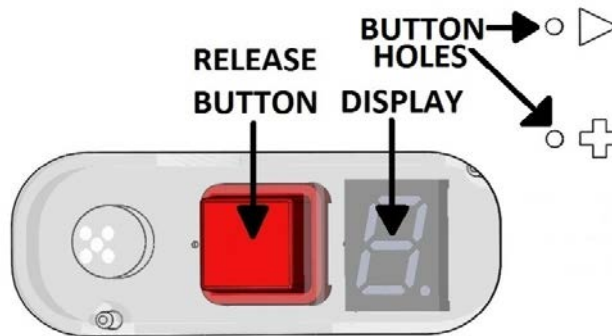
The closer may be used with its default settings, but for best performance, teach the closer the alarm sound as explained in the “Learning the Alarm Sound” section.

Do not put the door closer to use without performing a fire test to check that the door releases. Refer to the “Commissioning” section.

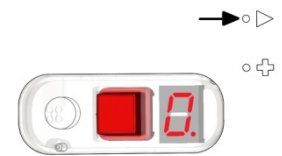
Learning the Alarm Sound

NOTE: The batteries must be in good condition for the learn function to work.

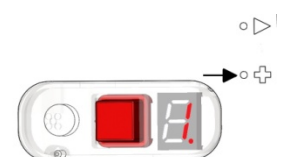
Use a straightened paper clip inserted through the button holes to operate the ► and + buttons.



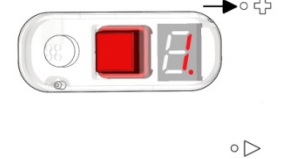
Press ► and a zero will be displayed



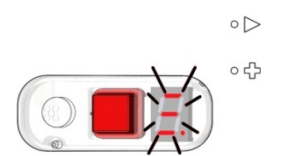
Press + 1 is displayed



Press ► again

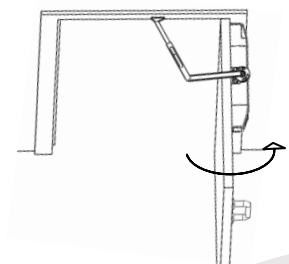


The motor will turn and the display will flash as shown



Open the door until it latches

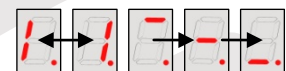
The unit is ready to learn



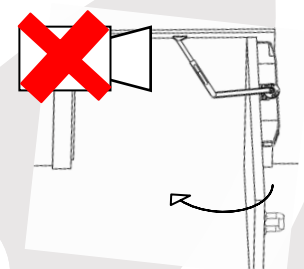
Sound the alarm and push the red RELEASE button. There must be no background noise while the alarm is recording



The display changes to show that it is recording
This takes about 15 seconds



The door will release once recording has finished. You can now switch off the alarm



The closer will take up to 2 minutes to process the sound, then the red dot will illuminate for about 10 seconds. Once the red dot has disappeared the door closer is ready to use

Bells as Alarms

If the alarm sound is generated by a bell you may find that the Agrippa is sensitive to general background noise after the learning process. The red dot will often stay lit and the door may not hold or release. This can be improved by selecting command option 9 (see the “**Command Options**” section) any time **after** completing the learning process as long as the Agrippa has not been returned to default settings. Once selected, the display will show a rotating pattern for around 10 seconds. If the closer has already been returned to default settings you will have to repeat the learning process before selecting option 9.

Daily Timed Release

You may set a daily time when the door will close. It will then stay released until another set time when it will reactivate.

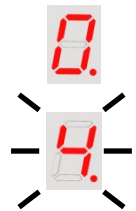
- Times are entered in 24 hour format
- The current time, release time and a resume-hold time must be set before this function will work
- If the batteries are removed, the current time must be reset

To use the timed release, first select command option 4 to enter the current time.



Press the ►
0 is displayed

Press + until 4 is displayed
Press ► and 4 will flash



This example shows how to enter a time of 3:20pm or 15:20

Press + until 1 is displayed
Press ►
The tens of hours is now set
Press + until 5 is displayed
Press ►
The hour is now set
Press + until 2 is displayed
Press ►
The tens of minutes is now set
Press + until 0 is displayed
Press ►



The time is now set and the display is blank.

Now set the release time using command option 5 and the resume-hold time using command option 6. Enter the time in the same way as shown above.

Command option 7 can be used to check the times that have been set. Select this option to display the current time, the close time and the resume-hold time. The 12 digits are displayed sequentially.

Release/Reset Button

If the door is latched and open, pressing the red button will close the door. The display will show the battery level.

If the door closer will not latch, press the red button to reset. The display will show why the door is closed. If, after 10 seconds listening, no alarm is detected (and the closer is not in timed close and has not detected a low battery) the magnet will turn on and the door may be latched.

Command Options



Press ► to enter command mode. Press + until the number for the required option is displayed then press ► to select that option.

1. **Learn**, see the “Learning the Alarm Sound” section
2. **Flip 7 segment display**. This option inverts the 7 segment display for upside down mounting
3. **Restore default settings** with a level of approximately 70dB. These will replace any learnt settings
4. **Set time**. Enter the current time in 24 hour format. *N.B. must be re-set if the batteries are removed*
5. **Release time**. Enter the time at which the door should close. Enter 0000 to cancel
6. **Resume-hold time**. Enter the time at which the closer will latch
7. **Display time**. Display the current time, the close time and the resume-latch time
8. **Set acoustic settings** with a level of approximately 65dB. These will replace any learnt settings. ***N.B. at this low sound level the unit is susceptible to false releases and the alarm sound could be masked by background noise***
9. **Alarm bell setting**. Use if the alarm sound is produced by a bell and the closer is too sensitive to background noise. Only select after the learning process has been completed (see the “Learning the Alarm Sound” section)

Commissioning

1. Open the door so that the door closer latches
2. Check that any doors between the closer and the nearest fire sounder are closed
3. Sound the fire alarm
4. The closer should close the door within 30 seconds
5. Check that the door closes fully
6. Press the red button to reset the unit. If the red button is not pressed the closer will turn on after 30 minutes assuming the alarm is not sounding
7. If the door does not release, follow the instructions in the learning process section

Maintenance

Check all fire doors release and close as part of a weekly fire test routine. Under normal operation the closer will release within 20 seconds of the alarm sounding.

If, when performing the weekly test, it is not possible to sound the alarms for 20 seconds, the closer can be put into a test mode by holding the red button down for approximately 4 seconds. In this mode the closer will respond to a typical alarm sound within 4 seconds. After 10 seconds, the red dot will flash every second, rather than every 13 seconds. The closer will return to normal operation after it has detected an alarm sound or 5 minutes after the red button is pressed.

Replace the batteries annually or when indicated by a low battery warning.

Messages

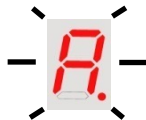
This list explains the messages shown when the red button is pressed:

New batteries will display b9

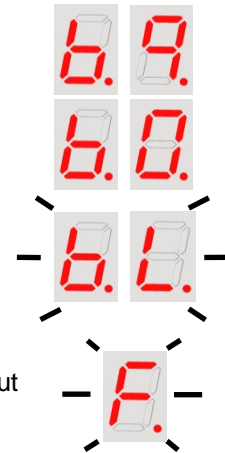
If b0 is shown you should fit new batteries

A flashing bL indicates that the batteries are critically low. The door will not latch until the batteries are replaced

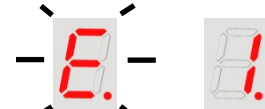
Flashing A. The door was closed because of an alarm



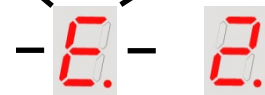
Flashing F. The door is shut due to a timed close



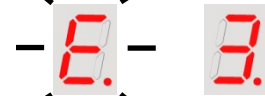
Flashing E followed by 1. The batteries are too low to learn the alarm sound



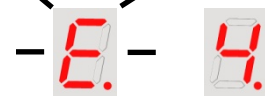
Flashing E followed by 2. The battery compartment lid has not been fitted for recording the alarm sound



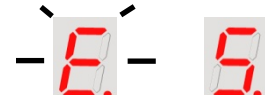
Flashing E followed by 3. The red button has not been pressed to start the learning process within 20 minutes



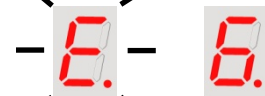
Flashing E followed by 4. The sound level detected during the learn process is below 65dB; the default parameters for 70dB have instead been used



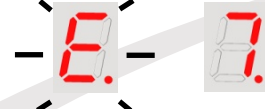
Flashing E followed by 5. The sound detected during the learn process was found to be intermittent, but its timing could not be identified. The sound levels detected are set, but the closer may be slow in waking up. It is recommended a different sound pattern is used on the sounder



Flashing E followed by 6. The intermittent sound level detected during the learn process is below 65dB; the default parameters of 70dB have instead been used



Flashing E followed by 7. The unit has not been put through the learn cycle or has been set back to default settings. Perform a learn process before choosing option 9 – see “Learning the Alarm Sound” section



Specification

Batteries	2 x C size Alkaline Cells
Rated Voltage	3.3V
Typical Battery Life	12 Months +
Default Release Volume	70dB
Latching Angle	65°-105°
EN Power Size	4
Action	Free Swing Only

CE	Stephenson Gobin Ltd Bishop Auckland DL14 6XB England	14						
	1121-CPD-AExxxx	EN1155:1997 + A1:2002	3	8	4	1	1	0
		EN1154:1996 + A1:2002	3	8	4	1	1	0