

- DIGITAL ACOUSTICALLY TRIGGERED DOOR CLOSER
- LEARNS THE SOUND OF YOUR FIRE ALARM
- EASY, WIRE FREE INSTALLATION AND PROGRAMMING
- DAILY TIMED RELEASE OPTION
- HOLDING ANGLE 65-105 DEGREES
- TWO ALKALINE C CELL BATTERIES
- APPROVED TO EN1155, EN1154 AND CE MARKED



The Agrippa door closer learns the sound of your specific fire alarm, releasing the door in the event of a fire.

This new innovation in the industry is also wire free, so it can easily be retrofitted to any door. The releasing trigger reacts to a particular sound rather than simply a loud noise, significantly reducing false activations.

The closer is easy to install, only requires C cell batteries (which last for 12 months), can be programmed for daily release and has adjustable closing speeds. Suitable for installation to BS 7273-4 category B.

Other features include a seven segment LED display, manual release button and a low battery warning display.

Ideally suited to environments such as care homes, schools and hospitals where it is essential to have doors in an open position at certain times of the day to aid access, but equally as important to ensure the doors are closed in the event of a fire.

The closer is part of the Agrippa suite of products, which also includes an acoustically triggered fire door holder.

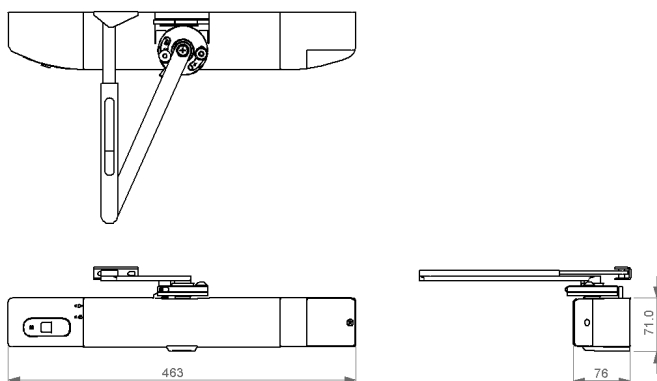
TECHNICAL INFORMATION

Hold open type	Free-swing
Power size	4
Default setting	65dBA, 1.2 - 3.0 kHz
Preferred sounder	Continuous tone *
Dimensions	L-463 x W-71 x D-76
Standard finish	Silver
Other available finishes	Part number
Polished brass	3-80-0071
Polished stainless steel	3-80-0072
Satin stainless steel	3-80-0073

* Not suitable for voice alarm systems

Patented in the United Kingdom under patent number 2507582

Part Number : 3-80-0070



SenseTek Fire & Security Solutions
Abberdaan 162
1046 AB Amsterdam

t +31 (0)20 6131611
f +31 (0)20 6132212
e info@sensetek.nl
w www.sensetek.nl