

# RDU 316



## Features

- ◆ Remote display unit for controller messages from a distance of up to 1.000 m via **RS485** connection
- ◆ May be combined with up to 31 control units **SCU 800**
- ◆ May be combined with one control unit LISTcontroller **SEC** or LISTcontroller **LB**
- ◆ Alarm indication on unit front via **LED**
- ◆ Highly durable via utilisation of maintenance-free components, RoHS compliant
- ◆ Very low energy consumption

## General Data

- ◆ Operating temperature: 0 °C ... +60 °C
- ◆ Dimensions: 144,2 x 114,2 x 60,0 mm, (w x h x d, maximum including cable-glands)
- ◆ Case material: Thermoplast ASA/PC, halogen-free
- ◆ Weight: 0,35 kg
- ◆ Power supply: 10 V ... 30 V DC
- ◆ Current draw: 42 mA (normal) / 105 mA (alarm), at 24 V DC
- ◆ Power consumption: Max. 2,5 W
- ◆ Ingress protection: IP 65
- ◆ Finish: RAL 7035, light grey
- ◆ Cover screws: Stainless steel, material 1.4567 (DIN EN X3 CrNiCu 18-9-4), captive
- ◆ Gasket: Silicone
- ◆ Integrated lid support: Polypropylen (PP)
- ◆ Mounting: Mounting screws outside enclosure interior
- ◆ Cable gland: Membrane cable-gland CLIXX 20

## Combustion behaviour

- ◆ UL 94 V-0, self-extinguishing
- ◆ EN 60695-11-10 / IEC 60695-11-10
- ◆ VDE 0471 part 11-10
- ◆ CSA C 22.2

## Front Panel Displays

- ◆ Operation: **LED green**
- ◆ Data transmission: **LED blue**
- ◆ Fault: **LED orange**
- ◆ Fire alarm: **LED red**
- ◆ **LC-Display:** Plain text messages and menu navigation (blue information display only for **LISTcontroller LB**)

Designation  
T: tt.t D:tt.t  
dd.mm.yy hh:mm

nnn Measuring  
Umm Znnn Soooo  
dd.mm.yy hh:mm

nnn T-heating  
Umm Znnn Soooo  
dd.mm.yy hh:mm

nnn Fire alarm  
Umm Znnn Soooo  
dd.mm.yy hh:mm

F: RDT Mode  
dd.mm.yy hh:mm

## Front Panel Operation

- ◆ 5 button membrane keyboard for menu navigation, data and function input

**Connections and Interfaces**

- ◆ 24 V DC: Power supply
- ◆ RS485: **RS485** data-interface for LIST communication to **SCU 800** or LISTcontroller
- ◆ USB: For software updates

**Ordering Information**

- ◆ Remote Display Unit RDU 316 Art.-no.: **G00493**

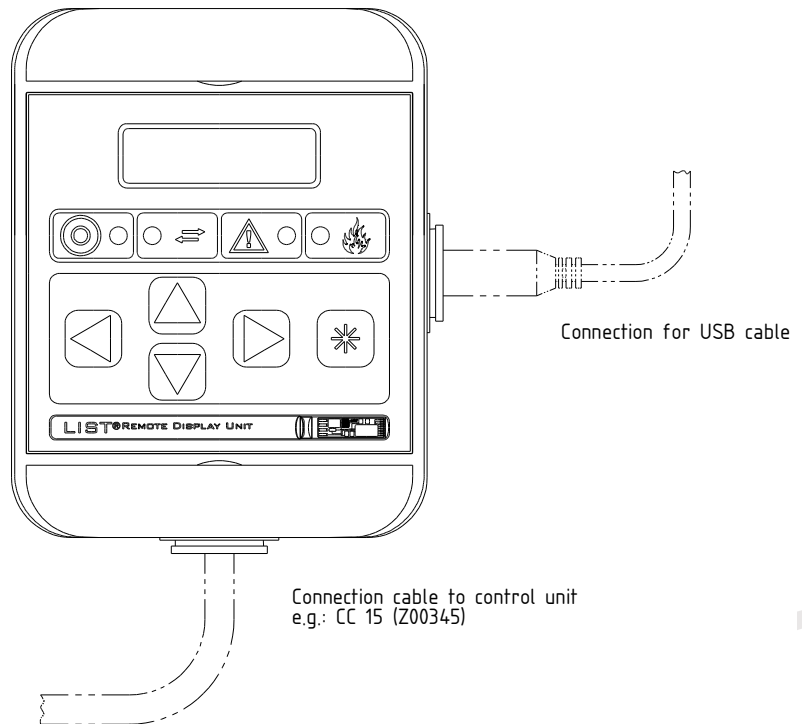
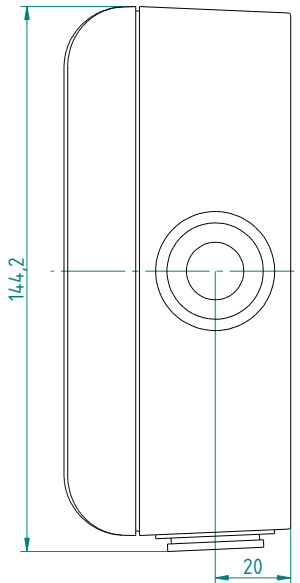
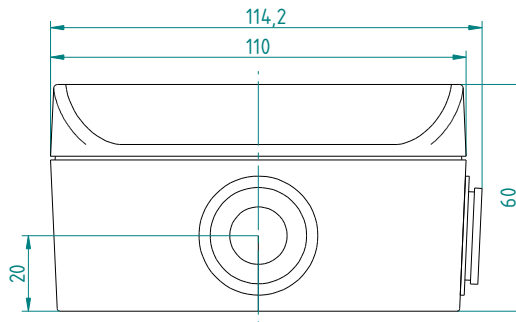
**Scope of Delivery**

- ◆ Remote Display Unit RDU 316, including LISTmemory **USB** flash drive

**Dimensions**

Case material: ABS-FR  
Ingress protection: IP 65  
Colour: Light grey

Installation: Provide sufficient space for connection cable bending radius.



SenseTek B.V., Abberdaan 162, 1046 AB, Amsterdam, The Netherlands  
Tel +31 20 6131611 • Email: [sensetek@sensetek.nl](mailto:sensetek@sensetek.nl) • Web: [www.sensetek.nl](http://www.sensetek.nl)